

ARP Series



DNA Group, Inc.

DNA's ARP series is a full size rocker switch with durable construction featuring a multitude of functions. It was designed for the marine, transportation, and indoor/outdoor appliance markets, and Power Take Off switch for Lawn & Garden applications. It is a cost effective solution for the OEM.

Functions*

ON-OFF	SP, DP
ON-OFF-ON	SP, DP
ON-ON	SP, DP
(ON)-OFF	SP, DP
OFF-1ON-2ON	DP
(ON)-OFF-(ON)	SP, DP
(ON)-OFF-ON	SP, DP
OFF-1ON-(2ON)	DP
OFF-1ON-2ON	DP
ON-ON-ON	DP

*Available with dependent or independent lighting

Ratings & Approvals

M-series - All functions

16A 125 VAC, 1/2 HP, T 85

12A 250 VAC, 1 1/2 HP, T 85

Rated for 20A, UL approved for 16A

All ratings are per pole

G-series - SPST only

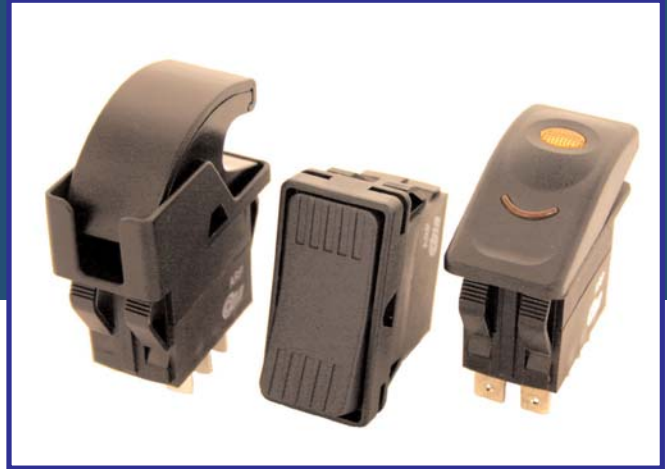
15A 125 VAC, T105

10A 250 VAC, T105

PTO-series

Tested to above M-series ratings - no

UL approval



ARP Features

Snap-in mounting to fit 1.45"x.83" panel cutout

Environmentally sealed and tested per IP67 requirements (front panel-mounted only)

IP 68 testing also available with customer testing specifications

Wide range of switching circuits

Mating Connector Available
(Accepts 0.250QC Faston terminals)

Incandescent, LED or neon lighting available

M-Series designed to accept custom actuator or standard actuator

M-Series switch can be purchased with or without actuator assembled

No tools required to remove M-Series actuator

Ignition protection tested per ISO 8846, USCG-33CFR(part 183, subpart 1, sec. 183.40), SAE J-1171 requirements, CE, ABYC E9 requirements, NMMA Certification requirements

Tested at MIL-STD-202F for vibration, shock, salt spray, thermal shock, & moisture resistance

Life tested to 170,000 cycles at 15A 125VAC inductive and 8,000 cycles at 12A 28VDC
20A tested at 36VDC, 24VDC, 18VDC, 125VAC

Terminal jumpers available (common, reversing and end-to-end lamp)

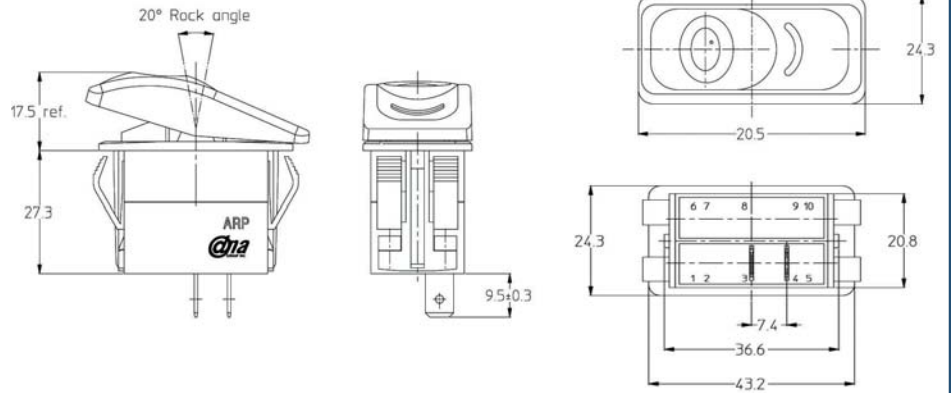
Rocker available with UV protection

Value-added assembly available

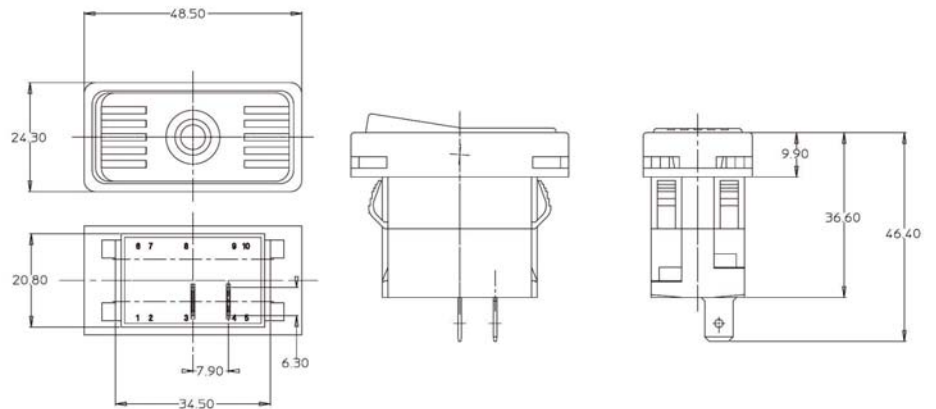
ARP M-series housing style with removable actuator



Various Actuator Options



ARP G-series housing style with drain hole bezel



Patent pending

ARP PTO-series housing style with shielded bezel to protect against accidental actuation

